

Hankun Quality Driving The Future



Headquarters(Beijing):

Address: Haige International Building, No.20 Xuanwumenwai Street Xicheng District, Beijing, China

Tel :+86-10-63260308

Fax:+86-10-63265498

Factory(Shanghai):

Address: No.98 Songhai Road, Qingpu District, Shanghai, China

Tel/Fax : +86-21-39886681

www.hankunchina.com

info@hankunchina.com

Version 2.0

Note: As the products improvements, specifications are subject to change without notice.Please kindly contact us for latest information.

Actuators Valves



Company Introduction

Hankun Brand founded in 2007, mainly deals with actuators, valves, pumps and other fluid control equipment and services, focuses on the process industries and is committed to provide professional fluid control solutions for process industries, such as electric power, petrochemical, water treatment industries etc. We provide the end-users with safe, environmental-friendly and economical solutions. We will supply the equipment in strict accordance with the contract requirements and provide the guidance for clients' installation and commissioning.

Thanks to end-users' trust and through large numbers of field service, we effectively accumulated a lot of technical experience and can exactly understand the real needs of end-users and the market. Based on our own patent research, Hankun has developed HITORK series intelligent electric actuators and pneumatic actuators with the characteristics: durable, easy to use, reliable, cost-effective and service guaranteed.

Our differential advantages are close to clients, providing whole process and considerate service, escorting end-users' producing. HITORK series intelligent electric actuators and pneumatic actuators are provided with one years' warranty after installation.

Technical quality and commercial credit are the cornerstone and wheel that drive the development of our company. The sole criterion to evaluate and highlight our work effect and value is that end-users feel relieved, convenient and happy with our products.

Our clients distributing in thermal power, nuclear power, petrochemical, coal chemical, water treatment industries and other fields, our products are high quality and enjoy a high reputation in the market.

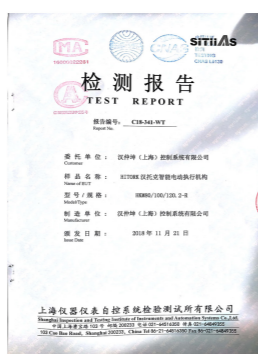
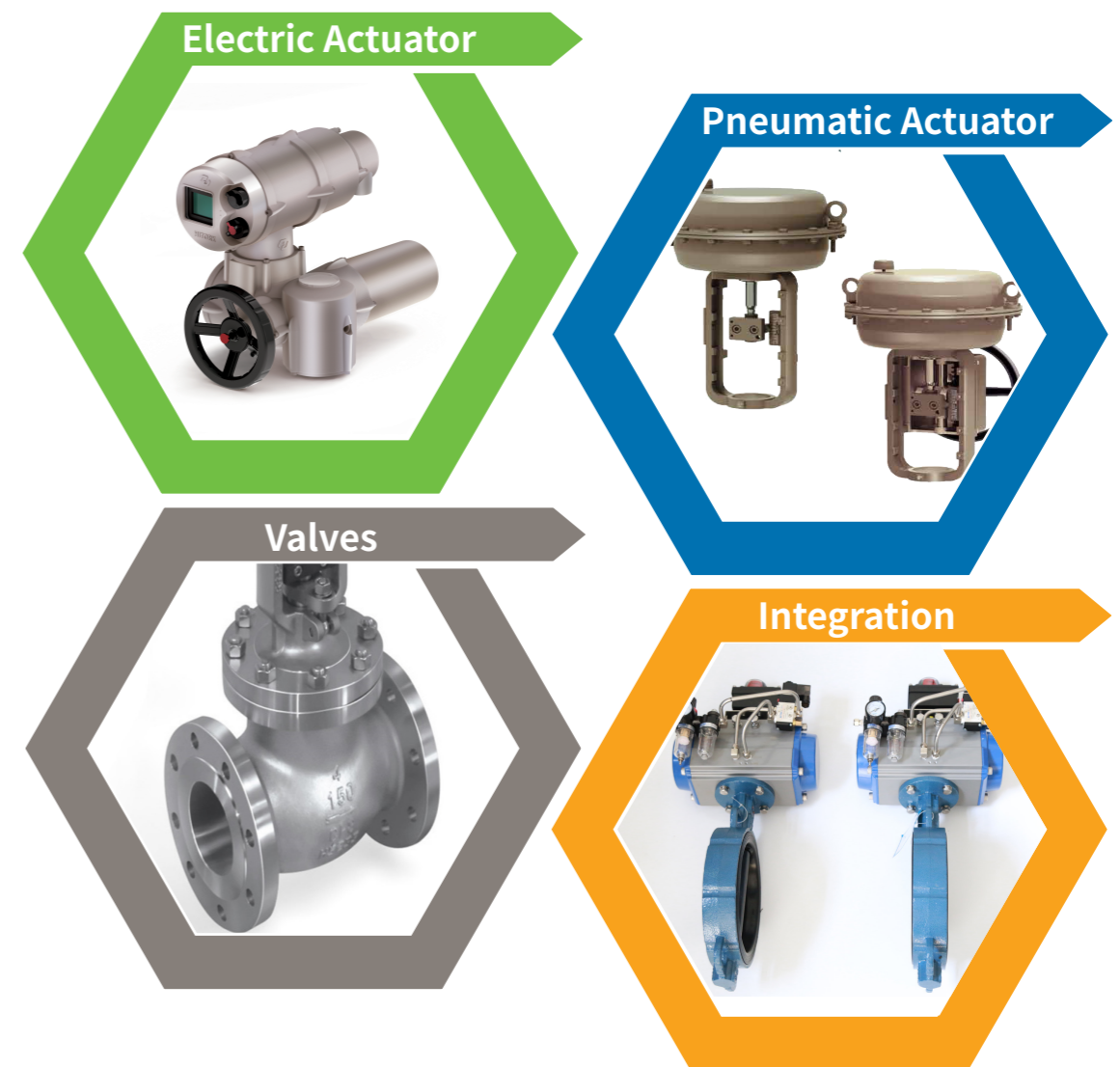
Corporate Culture

Corporate Values: Upright, Team Work, Excellence

Business Principle: Service Establishes Brand Reputation Determines Future

Products & Services

Experts in the actuator industry, electric actuator and pneumatic actuator are integrated with innovation, production, application and maintenance, comprehensive technical support for clients.





Electric Actuators

IoT Electric Actuators

HITORK2.0 HKM.2 Series

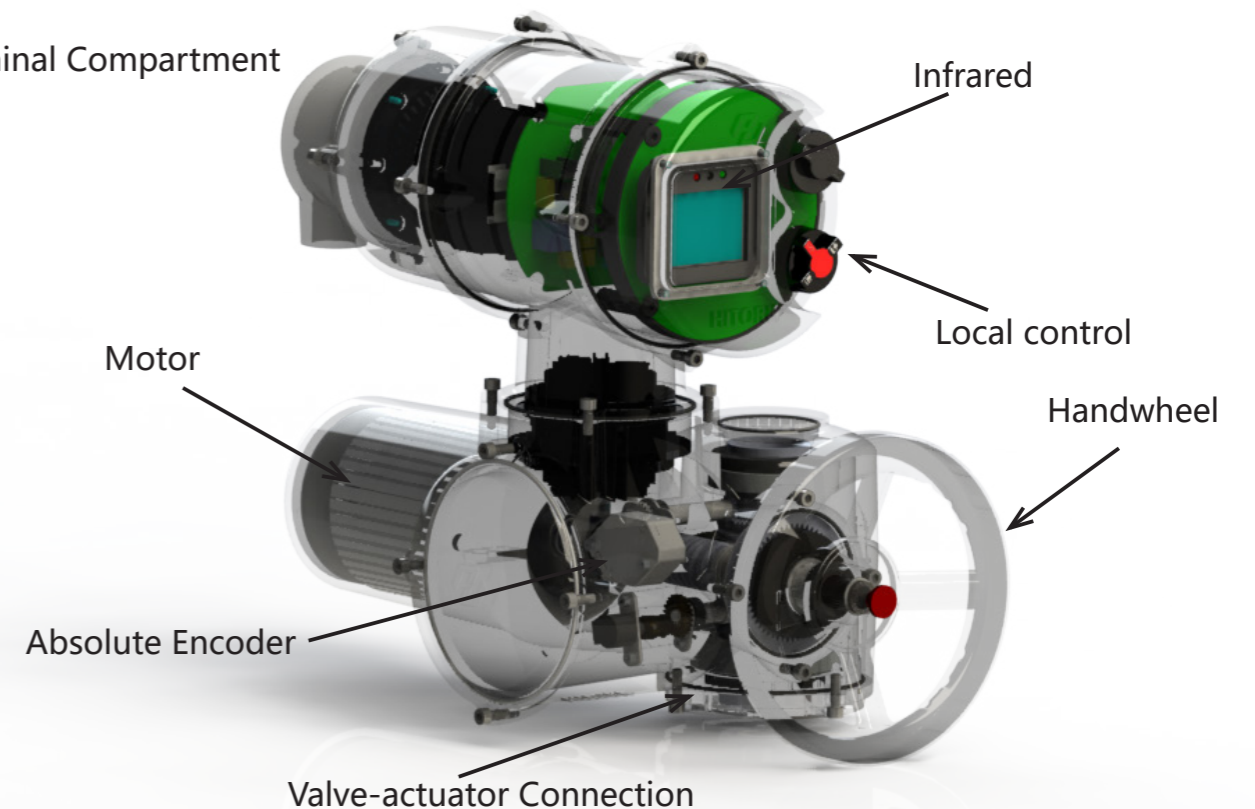


- > Provide IoT communication, remote expert diagnosis system, cloud platform & big data analysis.
- > Real smart, torque adjustment without opening the cover. Self-adaptive, high positioning accuracy, effectively avoid oscillation.
- > Strong anti-interference ability, EMC class 3, high immunity from spurious signals.
- > Adaptive for several bus protocols such as: PROFIBUS, MODBUS, FF, Device Net, Hart, etc.
- > Valve position monitoring during power loss through the robust absolute encoder developed independently by our own.
- > HD color screen display indicates valve position in normal mode, with asset management functions such as life prediction, maintenance record, etc.
- > Adaptive for infrared and Bluetooth communication, in addition to remote control, provide mobile phone bluetooth APP local operation function.
- > Aviation plug, which is easy to implement the split actuator and make the actuator suitable for high temperature, high vibration and other special conditions, the split distance is up to 150 meters.

Advantage

Performance/Components	HITORK2.0	Comparative advantage
Position sensor	Robust absolute encoder	No loss of valve position, no need of battery; digital signal transmission; more reliable and durable, high precision.
Torque sensor	Absolute encoder	Digital signal transmission, convenient installation and calibration, more reliable.
Self-adaptive	Self-adaptive	Adjustment automatically after 3 times run according to the actual load and travel, intelligent braking, no oscillation.
Torque adjustable Range	40%~120%	Large linear adjustable range and high accuracy of torque.
Split type	Yes	It is available for separate installation of electric control and mechanical parts within 150m, adapt to special working conditions.
Asset management	Yes	Record operation process parameters, such as temperature, position, vibration, abnormal torque data, maintenance situation and early warning, etc.
Communication interface	Bluetooth,GPRS,Bus	Rich communication interface, support bluetooth control of local mobile app; support internet of things access, remote control.
IoT support	Yes	Industry leading, product life-cycle tracking management, expert system, smart diagnosis, predictive maintenance reminder, web and mobile app alarm, remote support.

Terminal Compartment





Multi-turn

HITORK2.0 IoT HKM.2 multi-turn electric actuator can be used to control a variety of valves and other similar products, such as gate valves, globe valves, regulating valves, etc. which are widely used in power plant, petrochemical, water treatment, shipping, papermaking and other industries.

- >Light weight, small volume and high strength. The housing is made of special aluminum alloy.
- >Absolute encoder for travel and torque, Non-intrusive setting—no cover removal required.
- >Connect in accordance with ISO5210 standard.
- >IP67(IP68 Option)
- >Adaptive for bus, Bluetooth, Internet of things
- >Plug-in type dual panel structure, double sealing, convenient wiring maintenance.



Technical Data

Model	On-off		Modulating		Speeds @50Hz [rpm]	Diameter of axle [mm]	Rated Power [W]	Rated current (A) @3PH AC380V 50Hz	Mounting flange [ISO5210]	Weight [Kg]
	Rated torque [N.m]	Rated torque [N.m]	Modulating torque [N.m]	Modulating torque [N.m]						
HKM03.2	30	30	15	15	32	Φ28	90	1.0	F10	27
	30	30	15	15	64		186	1.3		
	18	18	9	9	128		402	1.8		
HKM05.2	50	50	25	25	32	Φ28	150	1.6	F10	27
	50	50	25	25	64		310	2.2		
	30	30	15	15	128		670	3.0		
HKM10.2	100	100	50	50	32	Φ28	310	2.5	F10	29
	100	100	50	50	64		670	4.0		
	60	60	30	30	128		760	5.9		
HKM20.2	200	200	100	100	32	Φ28	640	3.7	F10	31
	200	200	100	100	64		760	5.9		
HKM30.2	300	300	150	150	32	Φ36	790	6.0	F14	41
	300	300	150	150	64		1060	6.9		
	180	180	90	90	128		2040	10.6		
HKM45.2	450	450	225	225	32	Φ36	1100	6.8	F14	43
	450	450	225	225	64		1400	8.3		
	270	270	135	135	128		2140	14.5		
HKM60.2	600	-	-	-	32	Φ36	1190	7.0	F14	45
	600	-	-	-	64		2040	10.0		
HKM80.2	800	800	400	400	32	Φ44	1580	8.8	F16	86
	800	800	400	400	64		1710	12.0		
	480	480	240	240	128		2140	14.5		
HKM100.2	1000	1000	500	500	32	Φ60	1980	12.6	F16	88
	1000	1000	500	500	64		2140	15.0		
	600	600	300	300	128		2570	18.0		
HKM120.2	1200	-	-	-	32	Φ60	2380	16.2	F25	92
	1200	-	-	-	64		2570	18.0		

Other parameters to be set according to the real working conditions

Part-turn

HITORK2.0 part-turn electric actuator base on multi-turn electric actuator, equipped with worm gearbox to implement the angular travel output and has all the characteristics of multi-turn electric actuator. Flexible combination and wide range of output torque. It can be directly connected with the valve, and can also be connected with the crank arm or connecting rod to meet the requirements of various working conditions. It is mainly used for ball valve and butterfly valve.



Technical Data

Model	On-off		Modulating		90°travel time @50Hz [s]	Model	On-off		Modulating		90°travel time @50Hz [s]
	Rated torque [N.m]	Rated torque [N.m]	Modulating torque [N.m]	Modulating torque [N.m]			Rated torque [N.m]	Rated torque [N.m]	Modulating torque [N.m]	Modulating torque [N.m]	
HKM03.2/QW3	360	360	180	180	20	HKM45.2/QS200R	11200	11200	5600	5600	39
	360	360	180	180	10		11200	11200	5600	5600	20
	216	216	108	108	5		6750	6750	3375	3375	10
HKM05.2/QW3	600	600	300	300	20	HKM60.2/QW8	12600	12600	-	-	33
	600	600	300	300	10		12600	12600	-	-	17
	360	360	180	180	5		7500	7500	-	-	8
HKM05.2/QS80	800	800	400	400	24	HKM80.2/QW8	16800	16800	8400	8400	33
	800	800	400	400	12		16800	16800	8400	8400	17
	480	480	240	240	16		10000	10000	5000	5000	8
HKM10.2/QW4	1200	1200	600	600	20	HKM80.2/QS200	13200	13200	6600	6600	26
	1200	1200	600	600	10		13200	13200	6600	6600	13
	720	720	360	360	5		7920	7920	3960	3960	7
HKM10.2/QW5	2100	2100	1050	1050	33	HKM80.2/QS250R	19920	19920	9960	9960	39
	2100	2100	1050	1050	17		19920	19920	9960	9960	20
	1260	1260	630	630	8		11950	11950	6000	6000	10
HKM20.2/QS125	3600	3600	1800	1800	28	HKM100.2/QW9	19500	19500	9750	9750	30
	3600	3600	1800	1800	14		19500	19500	9750	9750	15
	2000	2000	1000	1000	7		11700	11700	5850	5850	8
HKM20.2/QW6	4200	4200	2100	2100	33	HKM100.2/QS250R	24900	24900	12450	12450	39
	4200	4200	2100	2100	17		24900	24900	12450	12450	20
	2520	2520	1260	1260	8		14940	14940	7470	7470	10
HKM30.2/QS125	5400	5400	2700	2700	28	HKM120.2/QS200	19800	19800	-	-	26
	5400	5400	2700	2700	14		19800	19800	-	-	13
	3240	3240	1620	1620	7		11880	11880	-	-	7
HKM30.2/QW6	6000	6000	3000	3000	33	HKM120.2/QS250R	31125	31125	-	-	39
	6000	6000	3000	3000	17		31125	31125	-	-	20
	3780	3780	1800	1800	8		18670	18670	-	-	10
HKM45.2/QS160	8100	8100	4050	4050	28	HKM120.2/QW10R	46000	46000	-	-	60
	8100	8100	4050	4050	14		46000	46000	-	-	30
	4860	4860	2430	2430	7		27600	27600	-	-	15

Other parameters to be set according to the real working conditions



Linear

HITORK2.0 linear electric actuator based on multi-turn electric actuator, equipped with linear unit to implement linear travel output, it has all the characteristics of multi-turn electric actuator, small volume, large thrust, high reliability, and is mostly used for regulating valve. The HALF structure of actuator output connection part is flexible and adaptable.

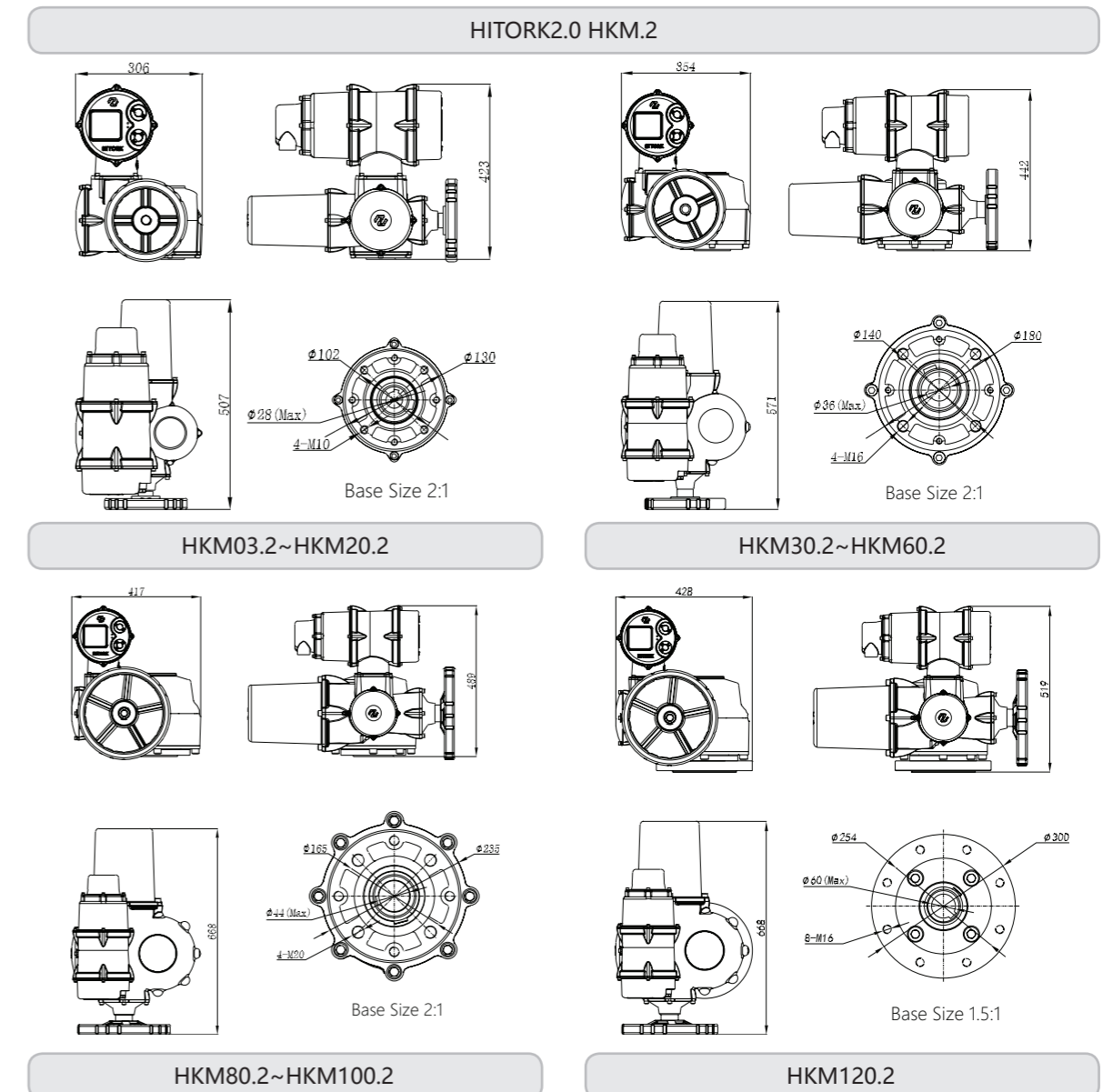
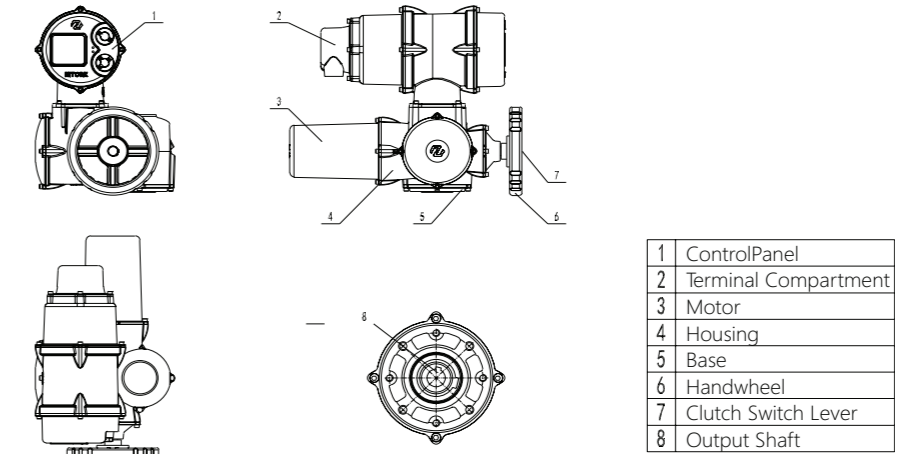


Technical Data

Model	Rated thrust [kN]	Modulating thrust [kN]	Speed [mm/S]	Max.travel [mm]	Diameter of screw/Lead [mm]	Mounting flange [ISO5210]
HKML03.2	13	6.5	1.5	115	25/3	F10
	13	6.5	3			
	7.8	3.3	6			
HKML05.2	22.2	11.1	1.5	115	25/3	F10
	22.2	11.1	3			
	13.2	5.6	6			
HKML10.2	44.4	22.2	1.5	115	25/3	F10
	44.4	22.2	3			
	26.4	11.2	6			
HKML20.2	52.8	26.4	3.5	115	38/7	F10
	52.8	26.4	7			
HKML30.2	80	40	3.5	115	38/7	F14
	80	40	7			
	48	24	14			
HKML45.2	118	54	3.5	115	38/7	F14
	118	54	7			
	70	35	14			

Other parameters to be set according to the real working conditions

Dimensions Chart





Intelligent Electric Actuators

Overview

HITORK1.0 series intelligent electric actuators adopt Micro Controlled Unit (MCU) which can receive and process switch quantity signals(also named digital signals), proportional signals and bus signals and then drive three-phase contactor or solid-state relay etc.,to implement the on-off and regulating operation of the actuator. The actuators are integrated with perfect overheating, phase loss and over-torque protection circuits. Actuators provide outward proportional signals feedback, multi-path local signal programmable relay-state feedback.

The actuators are divided into the on-off type and regulating type according to the control signals, and singlephase and three-phase according to power supply.

On-off type actuators only receive external on-off signals, after MCU processing, the amplified output instructions control the actuator motors to implement remote on-off actions.

The regulating type, on the basis of on-off type, can receive external proportional signals.

Bus Type: Profibus-DP,Modbus,FF,Hart,DeviceNet etc.



HITORK1.0 HKL Series (Linear)



HITORK1.0 HKP Series (Part-turn)



HITORK1.0 HKM Series (Multi-turn)

HKM Series Technical Data(Multi-turn)

Model	Rated torque [N.m]	Speed @50Hz [rpm]	Diameter of axle [mm]	Rated Power [W]	Rated current[A] @3PH AC380V 50Hz	Mounting flange [ISO5210]	Weight [Kg]
HKM07	70	45	Φ28	400	2.42	F10	32
	70	90		400	2.95		
HKM10	120	35	Φ28	600	2.25	F10	38
	120	70		600	3.18		
HKM20	300	34	Φ40	1100	4.50	F14	68
	300	67		1100	6.85		
HKM50	450	34	Φ40	1100	9.58	F14	70
	450	67		1500	14.80		
HKM60	600	34	Φ55	3000	10.89	F16	103
	600	67		4000	16.50		
HKM80	800	34	Φ55	3000	12.43	F16	103
	800	67		4000	23.50		
HKM100	1000	34	Φ55	4000	30.20	F16	103

HKL Series Technical Data(Linear)

Model	Rated thrust [N]	Speed [mm/S]	Max.travel [mm]	Rated Power [W]	Rated current[A] @3PH AC380V 50Hz	Weight [Kg]
HKL30	3000	1.5	25	30		18
HKL50	5000	1.5	40	45	0.30	18
HKL80	8000	1.5	60	60	0.30	18
HKL100	10000	1.5	60	60	0.31	30
HKL160	16000	1.5	100	90	0.31	30
HKL200	20000	1.5	100	90	0.35	33
HKL250	25000	1.5	100	120	0.59	34
HKL300	30000	1.5	100	120	0.59	35

HKP Series Technical Data(Part-turn)

Model	Rated torque [N.m]	90°travel time @50Hz [s]	Diameter of axle [mm]	Rated Power [W]	Rated current[A] @3PH AC380V 50Hz	Weight [Kg]
HKP05	50	22	Φ20	20	0.30	7.5
HKP08	80	22	Φ20	20	0.30	7.5
HKP10	100	22	Φ20	20	0.30	7.5
HKP15	150	25	Φ20	40	0.31	17.3
HKP20	200	25	Φ20	40	0.31	17.3
HKP30	300	31	Φ32	90	0.35	22
HKP50	500	31	Φ32	90	0.59	23
HKP60	600	31	Φ32	120	0.59	23
HKP80	800	37	Φ40	180	0.85	29
HKP120	1200	37	Φ40	180	0.87	29
HKP150	1500	93	Φ40	120	0.59	77
HKP200	2000	112	Φ40	180	0.85	83
HKP300	3000	112	Φ40	180	0.87	83
HKP400	4000	185	Φ40	180	0.87	83
HKP500	5000	185	Φ40	180	0.87	83
HKP600	6000	185	Φ40	180	0.87	83

Other parameters to be set according to the real working conditions



Pneumatic Actuator

Overview

HITORK series pneumatic actuators, including four series, HPR series pinion-and-rack pneumatic actuators, HPL series linear pneumatic actuators, HPD series linear pneumatic diaphragm actuators and HPY series scotch yoke pneumatic actuators.

HPR series actuator torque can reach up to 13024NM, HPL series actuator thrust can reach up to 379200N, HPD series actuator thrust can reach up to 26050N, and HPY series actuator torque can reach up to 170000NM. By adding manual override and other pneumatic accessories, our pneumatic actuators can perfectly solve end-user various needs.

HPR series pinion-and-rack pneumatic actuators



>The twin rack pistons are applied with die-cast aluminum hard oxidation or cast steel galvanized treatment, symmetric mounted and has quick operation, long service life and fast operation. User can change the rotation direction by simply reversing the pistons.

>Two independent external travel adjustment bolts can adjust the position at both on and off directions easily and precisely. The adjustment range is $\pm 5^\circ$.

>High performance springs,The spring adopts high quality material, after coating treatment, and preload assembly. It has strong corrosion resistance and longer service life. Single action actuators can be disassembled safely and simply to meet different requirements of torque by changing the number of springs.

HPL series linear pneumatic actuators

>Adjustable travel stop for the rod-retract position, piston bottoms out for the rod-extend position. Specific travel applications please consult us

>Spring rod nut is locked to prevent unauthorized disassembly of the spring tank

>Pneumatic cylinder ranges $\varnothing 80 - \varnothing 320$, the material of body is hard anodized aluminum

>The material of drive rod is carbon steel with chrome plated. Optional material available like stainless steel etc.



HPD linear pneumatic diaphragm actuators



>Application Versatility - Direct Action & Reverse Action in six sizes are available for an extensive variety of applications. Spring ranges, stroke limits, and manual overrides are available for nearly any control valve application.

>Excellent Linearity Between Loading Pressure and Stroke - A molded diaphragm travels in a deep diaphragm casing, the effective area of the diaphragm changes very small, which provides excellent linearity.

>High Thrust Capability - The molded diaphragm and cold stamping case allow high pressure supply and maximum thrust for given diaphragm size.

>Long Service Life-cold punched sheet metal casing cap and ductile iron construction increases stability and protection from corrosion and decrease deformation and over-pressurization .

>Reliable Connections - A split block stem connection provides a solid transfer of motion with easy mounting. The absence of linkages helps to avoid losing motions and inaccurate valve positioning.

HPY series scotch yoke pneumatic actuators

>Robust yet lightweight design, totally enclosed weatherproof center-body fabricated in carbon steel or ductile iron to provide an excellent strength. The mechanism of piston and yoke has an advantageous torque output.

>HPY series actuators share a modular construction design. The center body is available in ten sizes. A pneumatic or hydraulic cylinder can be attached to either or both sides. A spring cartridge can also be fitted to either side of the body for ESD (emergency shut down) applications. Modular design of components with replaceable, warehousing and other characteristics can meet quick delivery time.

>Every HPY actuator is built to provide long and efficient service with minimum maintenance. The design, technology and materials used in their construction ensure optimum performance even in the harshest environments.





Technical Data

HPR series pinion-and-rack pneumatic actuators (Double acting)

Unit: Nm

Model	Air supply pressure (bar)									
	2	2.5	3	4	4.5	5	5.5	6	7	8
HPR007DA	3	4	5	6	7	8	8	9	11	12
HPR012DA	5	6	7	10	11	12	13	14	17	19
HPR020DA	8	10	12	16	18	20	22	24	28	32
HPR035DA	15	18	22	29	33	36	40	44	51	58
HPR050DA	20	25	30	40	45	50	55	60	70	80
HPR075DA	31	39	47	63	70	78	86	94	110	125
HPR110DA	45	56	68	90	102	113	124	135	158	181
HPR160DA	66	83	99	132	149	165	182	198	231	264
HPR255DA	100	125	150	200	226	251	276	301	351	401
HPR435DA	171	214	256	342	385	427	470	513	598	684
HPR665DA	266	332	399	532	598	665	731	798	931	1064
HPR1000DA	426	532	638	851	958	1064	1170	1277	1490	1702
HPR1200DA	532	665	798	1064	1197	1330	1463	1596	1862	2128
HPR1800DA	769	962	1154	1539	1731	1924	2116	2308	2693	3078
HPR2700DA	1170	1462	1754	2339	2632	2924	3216	3509	4094	4697
HPR3800DA	1526	1908	2289	3052	3434	3815	4197	4578	5341	6104
HPR5700DA	2285	2856	3427	4570	5141	5712	6283	6854	7997	9139
HPR8000DA	3256	4070	4884	6512	7326	8140	8954	9768	11396	13024

If you need the parameters for other types, please contact us.

HPL series linear pneumatic actuators (Double acting)

Cylinder bore (mm)	Output force(N) Air pressure (Mpa)													
	0.3		0.35		0.4		0.45		0.5		0.55		0.6	
	Thrust (N)	Pull (N)	Thrust (N)	Pull (N)	Thrust (N)	Pull (N)	Thrust (N)	Pull (N)	Thrust (N)	Pull (N)	Thrust (N)	Pull (N)	Thrust (N)	Pull (N)
80	1507	1360	1758	1587	2010	1813	2261	2040	2512	2267	2763	2493	3014	2720
100	2355	2208	2748	2576	3140	2944	3533	3312	3925	3680	4318	4048	4710	4418
125	3680	3439	4293	4012	4906	4585	5520	5158	6133	5731	6746	6304	7359	6877
160	6029	5652	7034	6594	8033	7536	9043	8478	10048	9420	11053	10362	12058	11304
200	9420	9043	10990	10550	12560	12058	14130	13565	15700	15072	17570	16579	18840	18086
250	14719	14342	17172	16732	19625	19123	22078	21513	24531	23903	26984	26294	29438	28684
280	18463	18086	21540	21101	24618	24115	27695	27130	30772	30144	33849	33158	36926	36173
320	24115	23738	28134	27695	32154	31651	36173	35808	40192	39564	44211	43520	48230	47477
350	28849	28472	33657	33217	38465	37963	43273	42708	48081	47453	52886	52199	57698	56944
400	37680	37303	43960	43520	50240	49738	56520	55965	62800	62172	69080	68389	75360	74606
450	47689	47100	55637	54850	63585	62800	71533	70650	79481	78500	87429	86350	95378	94200
500	58875	58027	68688	67698	78500	77370	88313	87041	98125	96712	107988	106383	117750	116054
550	73853	73005	86162	85173	98470	97340	110779	109508	123088	121675	135397	133843	147706	146010
600	84780	83932	98910	97921	113040	111910	127170	125898	141300	139887	155430	153876	169560	167864
630	93470	92622	109048	108059	124627	123496	140205	138933	155783	154370	171362	169807	186940	185244
700	115395	114547	134628	133638	153860	152730	173083	171821	192325	190912	211558	210003	230790	229094
800	150720	149566	178540	174494	200960	199421	226060	224349	251200	249277	276320	274204	301440	299132
900	190755	189601	222548	221201	254340	252801	286133	284402	317925	316002	349718	347602	381210	379202

If you need the parameters for other types, please contact us.

HPD linear pneumatic diaphragm actuators

Actuator Size	Effective Diaphragm Area (cm ²)	Air Supply (Kpa G)	Spring Range Kpa G	Thrust Capabilities (N)	Stroke (mm)
220	188.8	400	120~300	2177	20
270	314.3	400	120~300	3648	20~30
350	555.8	400	120~280	6472	20~40
450S	956.8	400	120~280	11180	20~40
450L	956.8	400	120~280	11180	50~90
550S	1548.8	400	120~280	18028	30~70
550L	1548.8	400	120~280	18028	80~110
650S	2236.3	300	80~200	16475	30~60
650L	2236.3	400	120~280	26050	70~110

If you need the parameter for other types, please contact us.

HPY series scotch york pneumatic actuators

Model	Output Torque(Nm) Air pressure (Mpa)											
	0.35			0.4			0.5			0.6		
	0°	45°	90°	0°	45°	90°	0°	45°	90°	0°	45°	90°
HPY-C06-201-DA	1523	663	1068	1741	758	1220	2176	948	1525	-	-	-
HPY-C08-221-DA	2400	1045	1682	2743	1194	1922	3428	1493	2403	4114	1792	2883
HPY-C08-251-DA	3118	1358	2185	3564	1552	2498	4455	1940	3122	-	-	-
HPY-C1-281-DA	4603	2005	3226	5261	2291	3687	6576	2864	4609	7891	3436	5531
HPY-C1-321-DA	6042	2631	4234	6905	3007	4839	8631	3759	6049	-	-	-
HPY-C2-351-DA	8631	3759	6049	9864	4296	6913	12330	5369	8642	14796	6443	10370
HPY-C2-401-DA	11329	4933	7939	12947	5638	9074	16184	7047	11342	19420	8457	13610
HPY-C2-451-DA	14385	6264	10082	16441	7159	11522	-	-	-	-	-	-
HPY-C3-451-DA	17168	7476	12032	19620	8544	13750	24525	10680	17188	29430	12816	20626
HPY-C3-501-DA	21267	9261	14905	24306	10584	17034	30382	13230	21293	-	-	-
HPY-C3-561-DA	26757	11652	18752	30579	13316	21431	-	-	-	-	-	-
HPY-C4-561-DA	32146	13998	22529	36738	15998	25747	45922	19997	32184	55107	23997	38621
HPY-C4-601-DA	36957	16093	25901	42237	18392	29601	52796	22990	37001	63355	27589	44401
HPY-C4-631-DA	40783	17760	28582	46610	20297	32666	58262	25371	40832	-	-	-
HPY-C4-701-DA	50437	21963	35348	57643	25101	40398	-	-	-	-	-	-
HPY-C5-701-DA	60479	26336	42386	69119	30099	48441	86399	37623	60551	103679	45148	72662
HPY-C5-562-DA	76974	33519	53946	87970	38307	61652	109963	47884	77065	131955	57461	92478
HPY-C5-801-DA	79181	34480	55492	90492	39406	63420	113115	49257	79275	135738	59109	95130
HPY-C5-602-DA	88544	38557	62054	101193	44065	70919	126491	55082	88649	-	-	-
HPY-C5-632-DA	97744	42564	68503	111708	48644	78289	-	-	-	-	-	-
HPY-C5-901-DA	100375	43709	70346	114714	49954	80396	-	-	-	-	-	-
HPY-C6-801-DA	106337	46306	74525	121528	52921	85171	151911	66151	106464	182293	79381	127757
HPY-C6-901-DA	134869	58730	94520	154136	67120	108023	192669	83900	135029	231203	100680	162035
HPY-C6-702-DA	162326	70686	113763	185515	80784	130015	231894	100981	162519	-	-	-
HPY-C6-1001-DA	166756	72616	116868	190579	82989	133564	238223	103737	166955	-	-	-
HPY-C6-802-DA	212675	92611	149050	243057	105842	170342	-	-	-	-	-	-

If you need the parameter for other types, please contact us.

How to Order

HPR series pinion-and-rack pneumatic actuators						
UNIT	1	2	3	4	5	6
Content	Series	Model	Acting Type	Spring Qty.	Travel	Custom
Code	HPR	007	DA(Double Acting)	K5	None (90° Rotation)	None (Standard)
		012	SR(Spring Return)	K6	120 (120° Rotation)	FC (Failure Close)
		020		K7	135 (135° Rotation)	FO (Failure Open)
		180 (180° Rotation)	3P (Three Position)
		8000		K12		C (Custom)

e.g: HPR-020SRK10

HPL series linear pneumatic actuators						
UNIT	1	2	3	4	5	6
Content	Series	Cylinder	Travel	Acting Type	Spring	Manual
Code	HPL	80	by Requirement	DA(Double Acting)	4	SM (Screw)
		100		SRC(Spring Return Close)	5	GM (Gear)
		125		SRO(Spring Return Open)		HM (Hydraulic)
					
		900				

e.g: HPL-500*100-SRC4+HM

HPD linear pneumatic diaphragm actuators							
UNIT	1	2	3	4	5	6	7
Content	Series	Size	Stroke	Drive Rod Position	Air Supply/ Spring Range	Manual Override	Ambient Temperature
Code	HPD	220	12	O(Air to Close.FO)	3(300/80-200KpaG)	N-None	1-Standard(-10 ~ 70°C)
		270	16	C(Air to Open.FC)	4(400/120-300KpaG)	M-Side Handle Manual	3-High(0 ~ 100°C)
		350	20	S (Special)	5(400/120-280KpaG)	S-Special	5-Low(-40 ~ 40°C)
		450	25				
		550				
		650	110				

e.g: HPD-550*110-O3M1

HPY series scotch york pneumatic actuators								
UNIT	1	2	3	4	5	6	7	8
Content	Series	Structure	Body	Cylinder	Acting Type	Spring	Manual	Special Requirements
Code	HP	Y	B06/C06	201	SR(Spring Return)	O4(F.O)	SM(Screw)	LT-High Temperature (40°C~80°C)
			B08/C06	251	DA(Double Acting)	O5(F.O)	GM(Gear)	HT-High Temperature (-20°C~150°C)
			B1/C1		C4(F.C)	HM(Hydraulic)	HC(High Cycle)
			B2/C2	1001		C5(F.C)		C(Custom)
			B3/C3					
			B4/C4					
			B5/C5					
		B6/C6						

e.g: HPY-C1-501-SRO4+HM+LT

Valves



> Function: on-off / regulating.

> Driving mode: electric / pneumatic; electric driving valves provide IoT communication, remote expert system, big data analysis.

> Valve type: butterfly valve, ball valve, gate valve, globe valve, regulating valve, etc.

> Temperature range: - 196-650 ° C.

> Pressure rating: PN10-PN420, 150LB-2500LB.

> Nominal diameter: DN15-DN1800.

> Valve material: WCB, WC6, WC9, CF8, CF8M, CF3M, F304, F316, F316L, 1.4529, 2507, 2205, etc.

Model composition								
NO.	1	2	3	4	5	6	7	8
Content	Type	Driving form	Connection	Structural	Sealing	Material	Nominal pressure	Material

Note: refer to < GB/T 32808-2016 >

Applications



Technical service

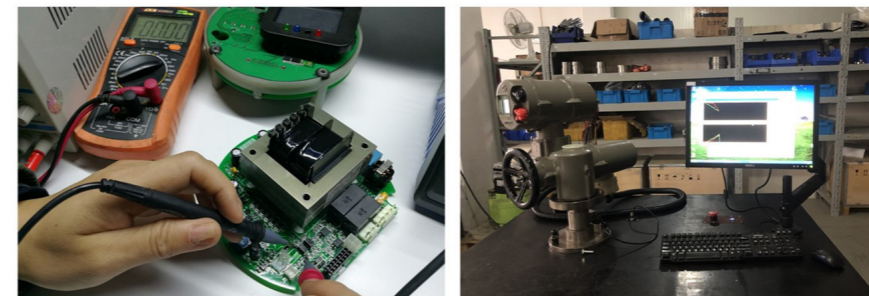
Valves and actuators assembly

Our company provide the whole set of valve & actuator products, we can assemble various types of valves, covering all levels and specifications. Accept the customer designated valve brand, our company keep good cooperation relationships with domestic and foreign major valve brands manufacturers.



Repair&maintenance

Hankun professionally undertake repairing services of the mainstream brand actuators and their board parts. As an actuator manufacturer, Hankun provide value-added services to end-users: Repair damaged old actuators and boards, respond to energy saving and environmental protection, including professional undertaking various repairing services of the mainstream brand actuators and their board parts and pneumatic actuator positioner, provide technical consultation, installation and debugging, remote diagnosis, fault handling, emergency spare parts, emergency standby equipment and so on to reduce end-users



Technical support

Hankun have a strong technical support team, provide professional technical support for the process industry clients. Provide safety, economic, environmental solutions according to the actual working condition, keep fluent technical communication in the process, provide long-term after-sales service after the equipments transferred to the end-users.

